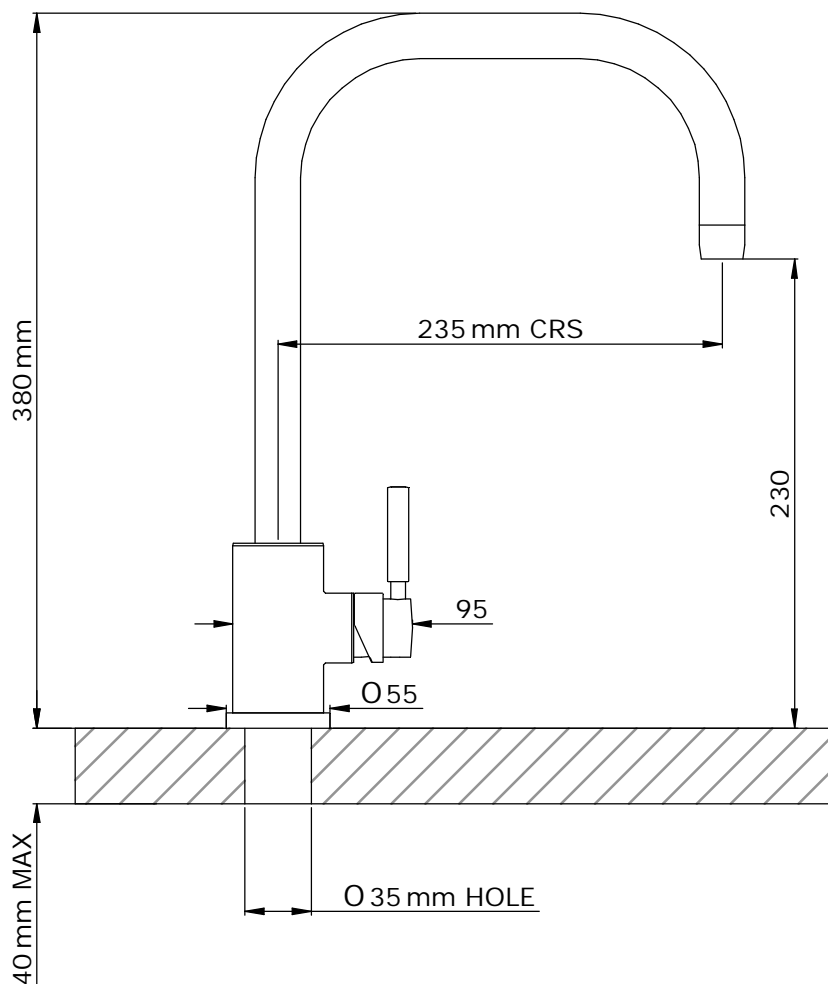


Juliet Single Lever Mixer Kitchen "U" Spout

- 1/4 turn ceramic disc flow control
- Vernier insert for accurate handle alignment
- Unique handle construction with integral bearing ring
- Flexible connectors for easier installation
- Easy to operate single hand design



Available Finishes:

- Chrome
- Nickel
- Satin Nickel

Temp Range:

Min 1°C / 34°F
Max 5°C / 75°F

Recommended Working Pressure:

Min 0.5bar / 7psi
Max 5bar / 75psi

Packed Weight: